

CASAL
ITALY



ARCHITECTURAL GLASS FITTINGS

www.casal.ae





ARCHITECTURAL GLASS FITTINGS

CASAL offers an extensive collection of Glass Door Hardware to create different door configurations using a combination of various fitting & accessories. A wide range of patch fittings is presented here from this collection. Available in different finishes and designs, these patch fittings meet the functional as well as aesthetic need of space. Every hardware fitting undergoes stringent tests for quality, stability & safety as per international standards in testing parameters.



ABOUT US

CASAL was formed in Veneto, in province of Venice, Italy in 1979 and operates in the construction industry specializing in the sector of aluminium fittings for doors and windows is now stepping a giant leap on architectural Glass Hardware fittings like:

- **Patch Fittings, Locks and Pivot Hinges**
- **Floor springs**
- **Manual sliding Doors and Locks**
- **Glass door Handles with and without locks**
- **Shower cubicle door fittings and door systems**

Alongside **CASAL** produces and exports all over the world:

- **Aluminium accessories for doors and windows: Hinges, Handles, Sliding Windows Kits, Finger Catches, Latches Bolts, etc.**
- **Varnished accessories with standard colours and customized colours like stain-finish, Brass and Gold Plating**

CASAL has always been keen on improving the quality of its services and of its products in order to satisfy every customer's requests. As proof of it, it has obtained the ISO 9001-2008 and ISO 18000 since 1997, a quality certification by S.G.S (international Certification Service) which guarantees good organization and good quality.

- Our commitment aims at the full control of the entire line of production to guarantee the authentic **CASAL ITALY** from product design to its realization.
- Moreover, through the development of new technologies, new equipment, quality control and technical research, **CASAL** has gained a solid position in the international market keeping the aim to become a leading company in the sector.

**ARCHITECTURAL
HARDWARE
SOLUTIONS**



INDEX

01-12 ■ **PATCH FITTINGS**

Glass Door Patch Fittings
Patch Locks
Glass Door Handles

13-14 ■ **FLOOR SPRINGS**

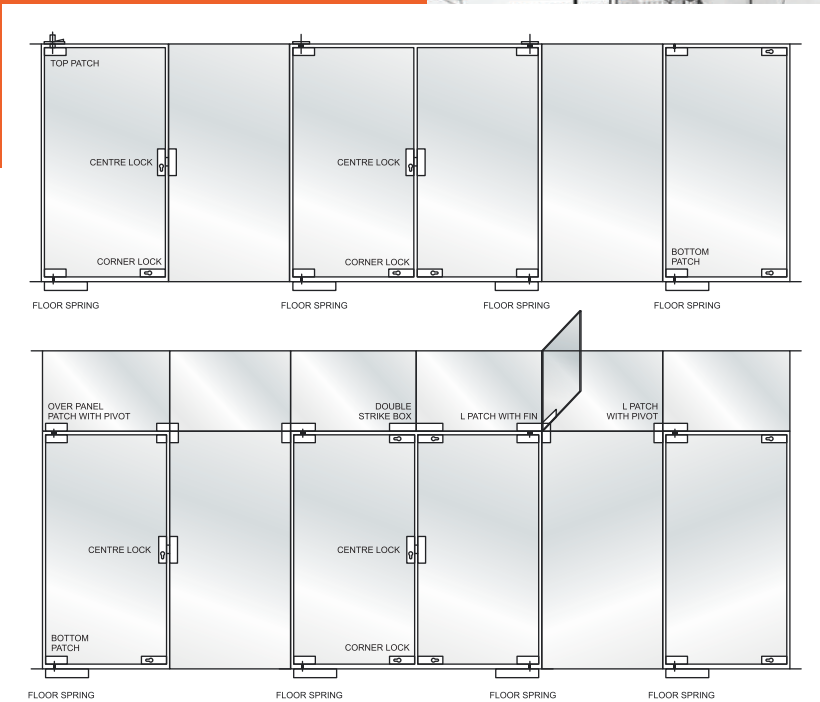
15-23 ■ **SHOWER CUBICLE FITTINGS**

Shower Hinges
Glass Connectors
Shower Knight Head Fittings

24 ■ **DOOR CLOSERS**

25-26 ■ **MANET SWING DOOR SYSTEM**

27-29 ■ **MANET SLIDING SYSTEM**



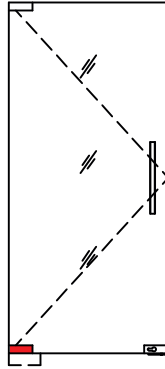
PATCH FITTINGS

PATCH FITTINGS

GLASS DOOR PATCH FITTINGS

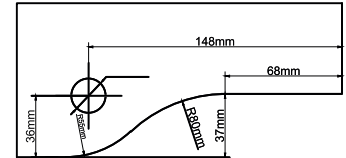
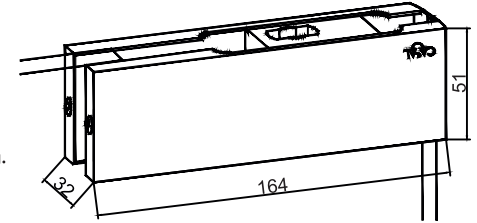
CT-100

BOTTOM PATCH



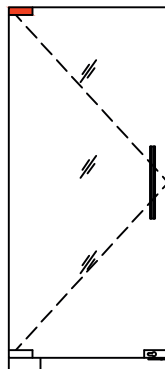
FEATURES

- Bottom patch for glass door.
- Aluminium alloy body which ensure high reliability and durability.
- 304 grade stainless steel covers for high corrosion resistance.
- Glass thickness : 8-12mm
- Finish : PSS, SSS, Black Matt & Golden Finish



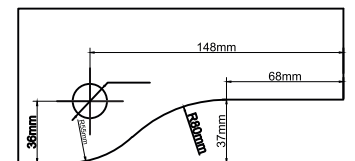
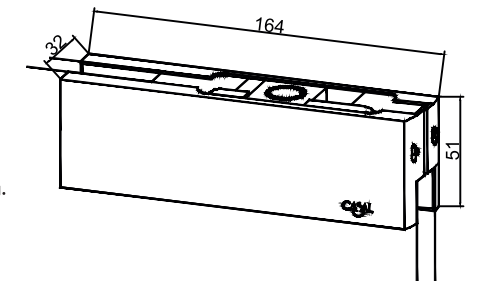
CT-200

TOP PATCH



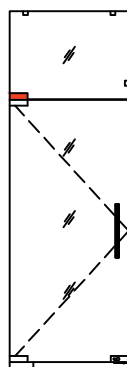
FEATURES

- Bottom patch for glass door.
- Aluminium alloy body which ensure high reliability and durability.
- 304 grade stainless steel covers for high corrosion resistance.
- Glass thickness : 8-12mm
- Finish : PSS, SSS, Black Matt & Golden Finish



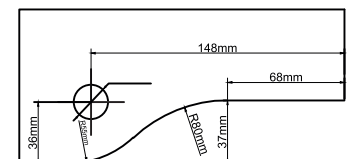
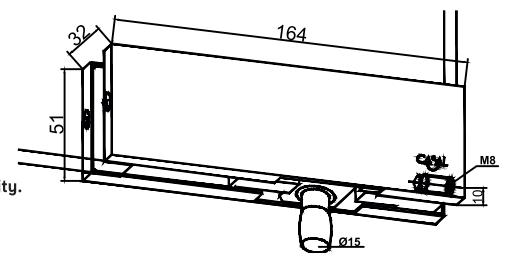
CT-300

OVERPANEL PATCH WITH PIVOT



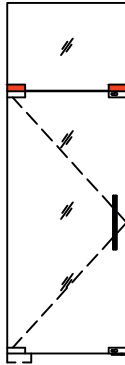
FEATURES

- Bottom patch for glass door.
- Aluminium alloy body which ensure high reliability and durability.
- 304 grade stainless steel covers for high corrosion resistance.
- Glass thickness : 8-12mm
- Finish : PSS, SSS, Black Matt & Golden Finish



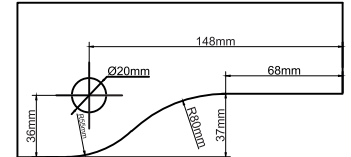
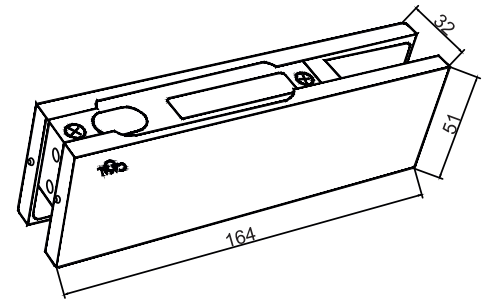
CK-300

OVER PANEL PATCH WITH KEEPER



FEATURES

- Over panel patch with keeper for glass door.
- Aluminium alloy body which ensure high reliability and durability
- 304 grade stainless steel covers for high corrosion resistance
- Glass thickness : 8-12mm
- Finish : PSS, SSS, Black Matt & Golden Finish



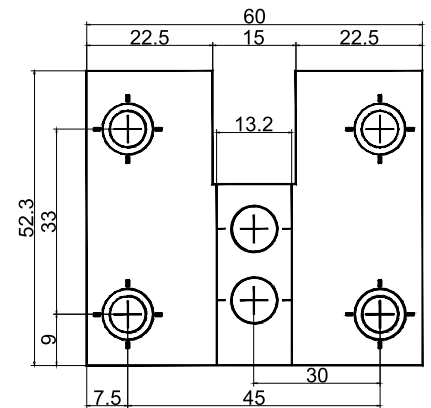
CP-300

FIXING PLATE FOR OVER PANEL



FEATURES

- 304 grade stainless steel for high corrosion resistance



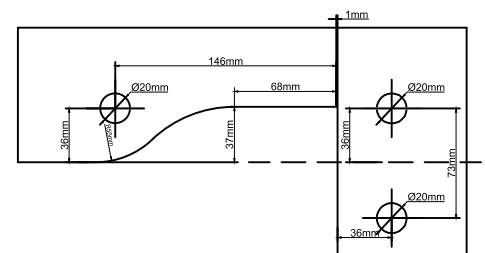
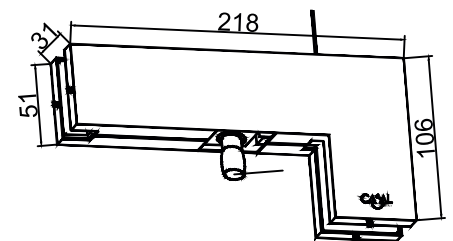
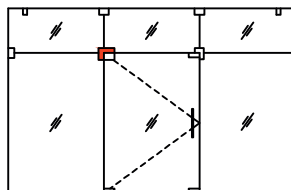
CT-400

L PATCH WITH PIVOT



FEATURES

- L patch with pivot for glass door.
- Aluminium alloy body which ensure high reliability and durability
- 304 grade stainless steel covers for high corrosion resistance
- Glass thickness : 8-12mm
- Finish : PSS, SSS, Black Matt & Golden Finish

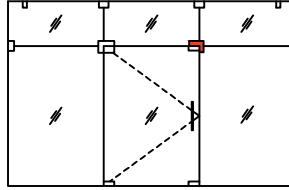


PATCH FITTINGS

GLASS DOOR PATCH FITTINGS

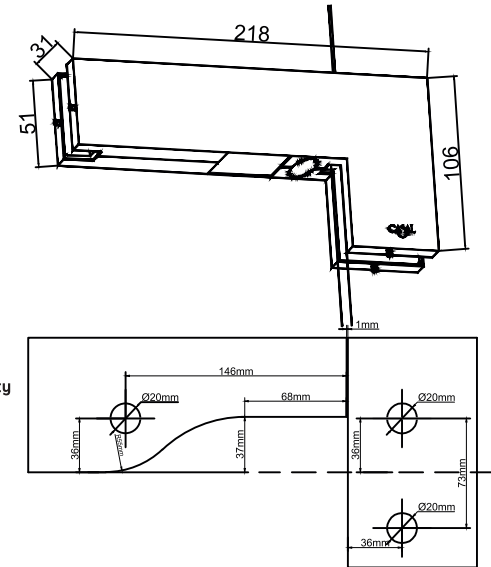
CK-400

L PATCH WITH KEEPER



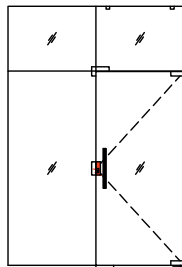
FEATURES

- L patch with keeper for glass door.
- Aluminium alloy body which ensure high reliability and durability
- 304 grade stainless steel covers for high corrosion resistance
- Glass thickness : 8-12mm
- Finish : PSS, SSS, Black Matt & Golden Finish



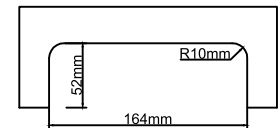
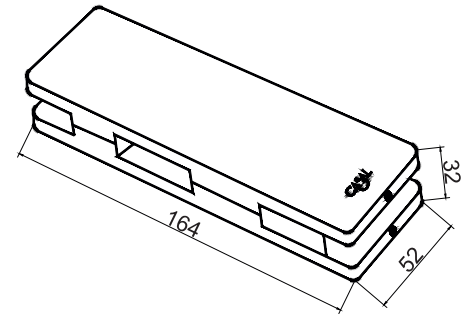
CK-500

CENTRE LOCK KEEPER



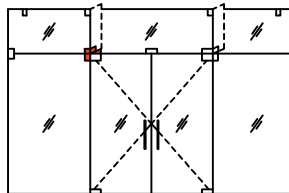
FEATURES

- Centre lock with keeper for glass door.
- Aluminium alloy body which ensure high reliability and durability
- 304 grade stainless steel covers for high corrosion resistance
- Glass thickness : 8-12mm
- Finish : PSS, SSS, Black Matt & Golden Finish



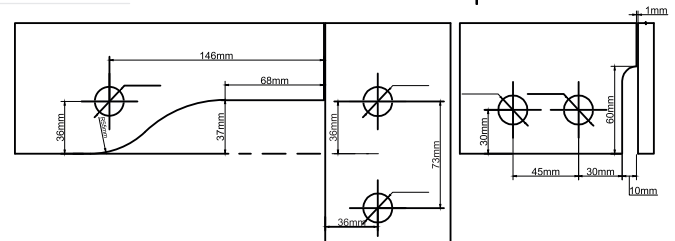
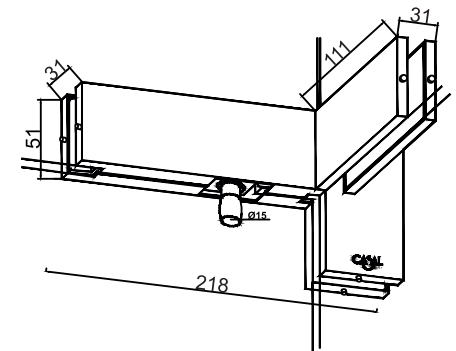
CTL-400

L PATCH WITH PIVOT AND FIN (LEFT)



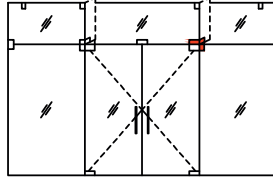
FEATURES

- L patch with pivot and fin for right handed glass door.
- Aluminium alloy body which ensure high reliability and durability
- 304 grade stainless steel covers for high corrosion resistance
- Glass thickness : 8-12mm
- Finish : PSS, SSS, Black Matt & Golden Finish



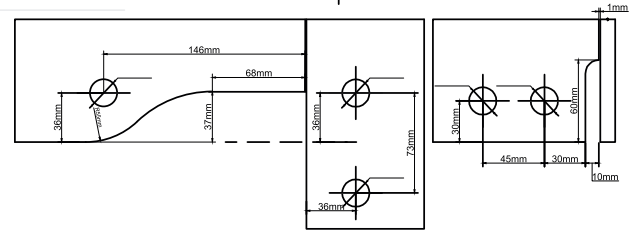
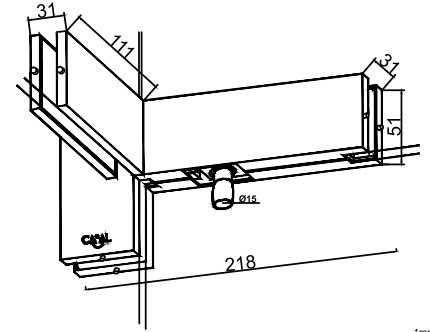
CTR-400

L PATCH WITH PIVOT AND FIN (RIGHT)



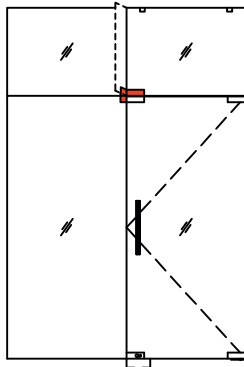
FEATURES

- L patch with pivot and fin for left handed glass door.
- Aluminium alloy body which ensure high reliability and durability
- 304 grade stainless steel covers for high corrosion resistance
- Glass thickness : 8-12mm
- Finish : PSS, SSS, Black Matt & Golden Finish



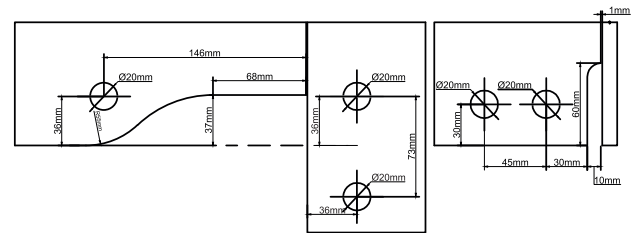
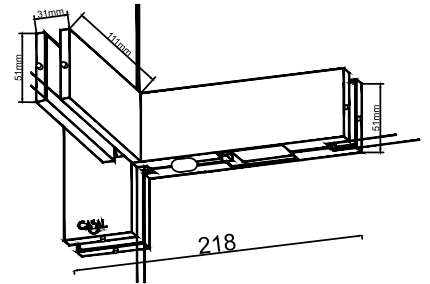
CKL-400

L PATCH WITH KEEPER AND FIN (LEFT)



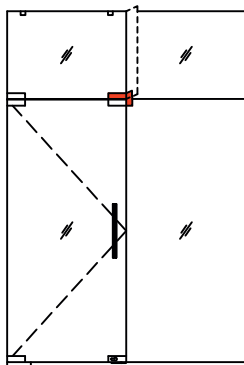
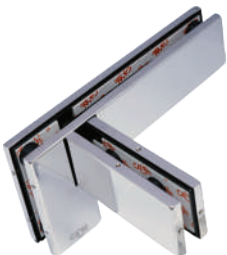
FEATURES

- L patch with keeper and fin for left handed glass door.
- Aluminium alloy body which ensure high reliability and durability
- 304 grade stainless steel covers for high corrosion resistance
- Glass thickness : 8-12mm
- Finish : PSS, SSS, Black Matt & Golden Finish



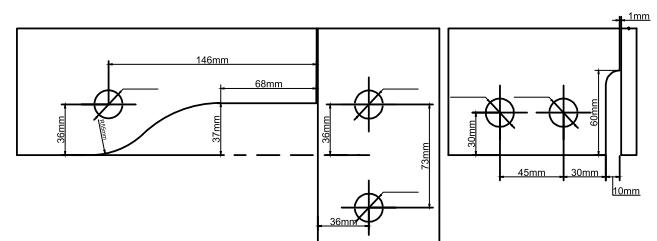
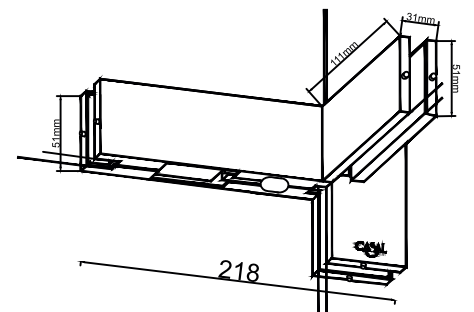
CKR-400

L PATCH WITH KEEPER AND FIN (RIGHT)



FEATURES

- L patch with pivot and fin for right handed glass door.
- Aluminium alloy body which ensure high reliability and durability
- 304 grade stainless steel covers for high corrosion resistance
- Glass thickness : 8-12mm
- Finish : PSS, SSS, Black Matt & Golden Finish



PATCH FITTINGS

GLASS DOOR PATCH FITTINGS

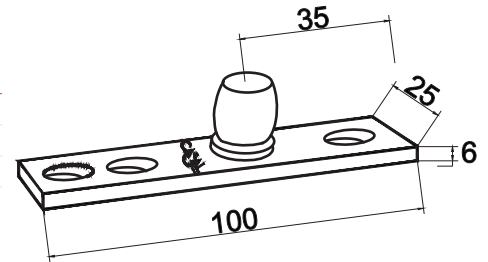
CTP-100

TOP PIVOT



FEATURES

- Top pivot for glass door.
- 304 grade stainless steel for high corrosion resistance
- Finish : PSS, SSS, Black Matt & Golden Finish



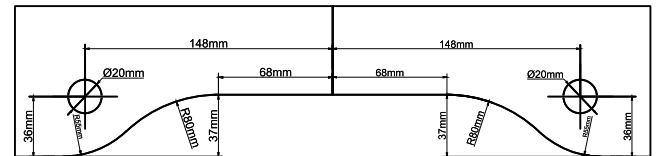
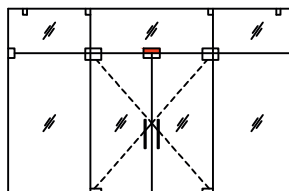
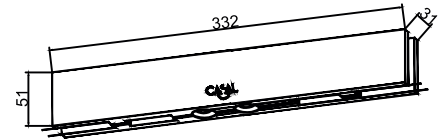
CK-200

OVER PANEL DOUBLE PANEL STRIKE BOX



FEATURES

- Over panel double panel strike box for glass door.
- Aluminium alloy body which ensure high reliability and durability
- 304 grade stainless steel covers for high corrosion resistance
- Glass thickness : 8-12mm
- Finish : PSS, SSS, Black Matt & Golden Finish



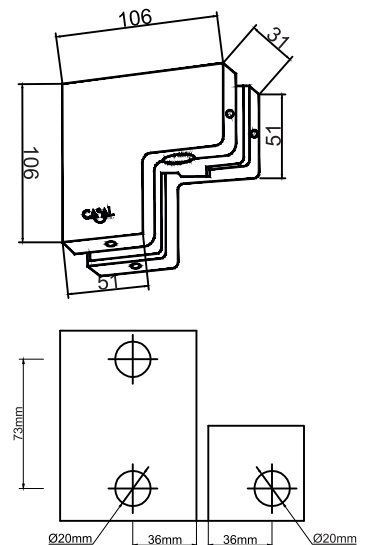
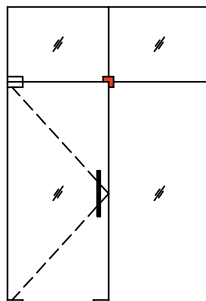
CT-500

OVER PANEL SIDE PANEL CONNECTOR



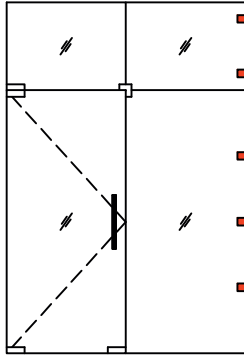
FEATURES

- Sidelite mounted transon patch connector
- Aluminium alloy body which ensure high reliability and durability
- 304 grade stainless steel covers for high corrosion resistance
- Glass thickness : 8-12mm
- Finish : PSS, SSS, Black Matt & Golden Finish



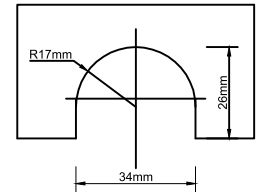
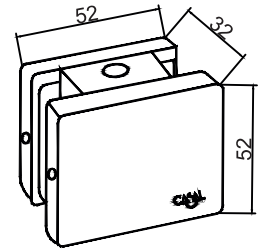
CT-600

WALL TO GLASS CONNECTOR



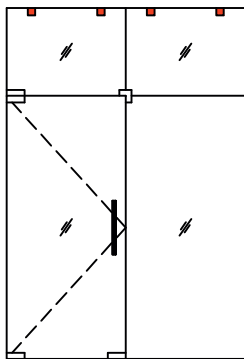
FEATURES

- Wall to glass connector patch
- Aluminium alloy body which ensure high reliability and durability
- 304 grade stainless steel covers for high corrosion resistance
- Glass thickness : 8-12mm
- Finish : PSS, SSS, Black Matt & Golden Finish



CT-700

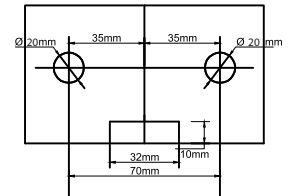
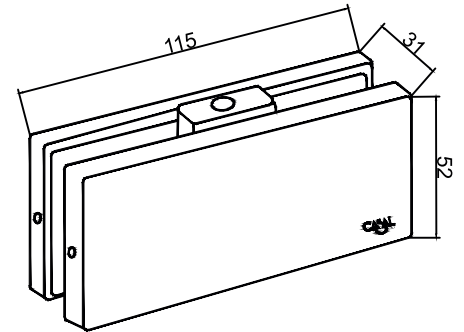
GLASS TO WALL CONNECTOR



Lorem ipsum

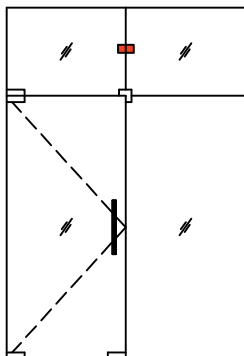
FEATURES

- Glass to wall connector patch
- Aluminium alloy body which ensure high reliability and durability
- 304 grade stainless steel covers for high corrosion resistance
- Glass thickness : 8-12mm
- Finish : PSS, SSS, Black Matt & Golden Finish



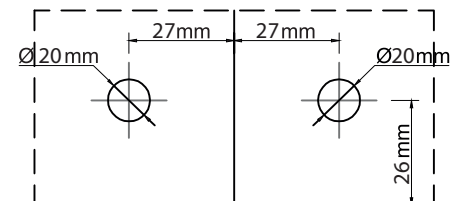
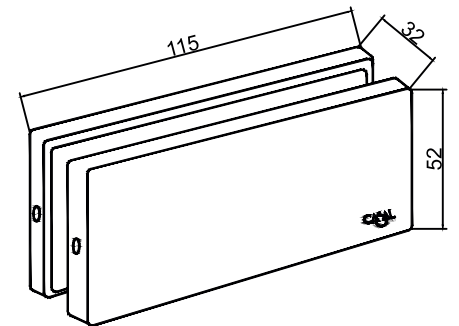
CT-800

GLASS TO GLASS CONNECTOR



FEATURES

- Glass to glass connector patch
- Aluminium alloy body which ensure high reliability and durability
- 304 grade stainless steel covers for high corrosion resistance
- Glass thickness : 8-12mm
- Finish : PSS, SSS, Black Matt & Golden Finish

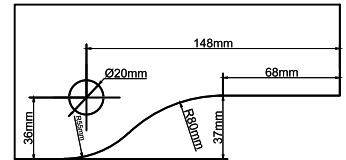
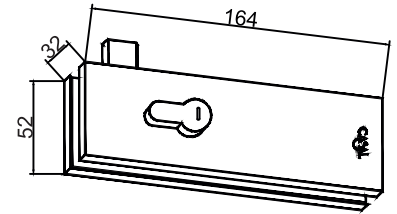
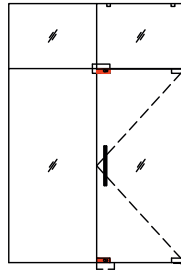




PATCH
LOCKS

CU-300

CORNER LOCK POINT

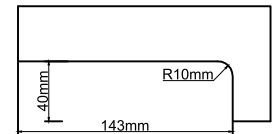
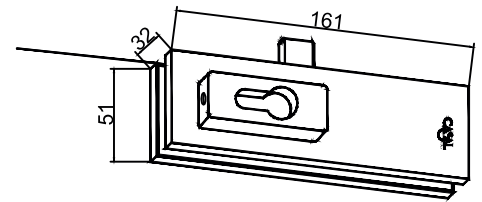
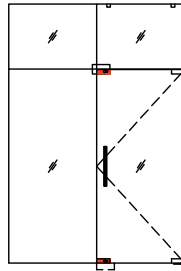


FEATURES

- High security corner patch lock for glass door
- Aluminium alloy body which ensure high reliability and durability
- 304 grade stainless steel covers for high corrosion resistance
- Complete with cylinder, supplied with 5 keys
- Single throw dead bolt projection of 15mm
- Glass thickness : 8-12mm
- Finish : PSS, SSS, Black Matt & Golden Finish

CU-100

CORNER LOCK

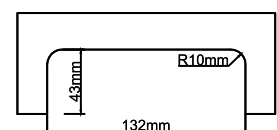
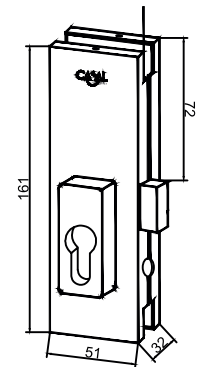
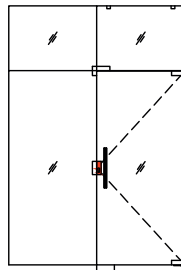


FEATURES

- High security corner patch lock for glass door
- Aluminium alloy body which ensure high reliability and durability
- 304 grade stainless steel covers for high corrosion resistance
- Complete with cylinder, supplied with 5 keys
- Single throw dead bolt projection of 15mm
- Glass thickness : 8-12mm
- Finish : PSS, SSS, Black Matt & Golden Finish

CU-200

CENTER LOCK



FEATURES

- High security centre patch lock for glass door
- Aluminium alloy body which ensure high reliability and durability
- 304 grade stainless steel covers for high corrosion resistance
- Complete with cylinder, supplied with 5 keys
- Single throw dead bolt projection of 15mm
- Glass thickness : 8-12mm
- Finish : PSS, SSS, Black Matt & Golden Finish

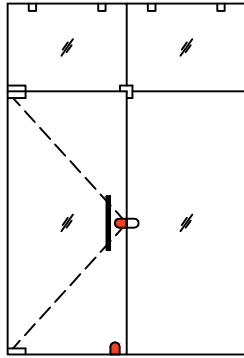


PATCH LOCKS

GLASS DOOR LOCKS

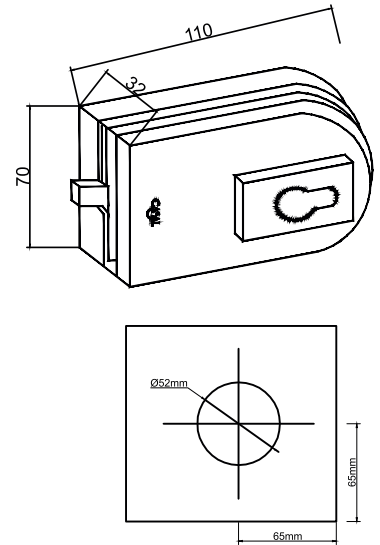
CU-400

PATCH LOCK ROUND



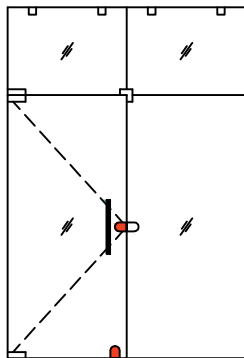
FEATURES

- Patch lock round
- Supplied with cylinder and five keys
- Suitable to side, top/bottom mount door application
- Aluminium alloy body which ensure high reliability and durability
- 304 grade stainless steel covers for high corrosion resistance
- Glass thickness : 8-12mm
- Finish : PSS, SSS, Black Matt & Golden Finish



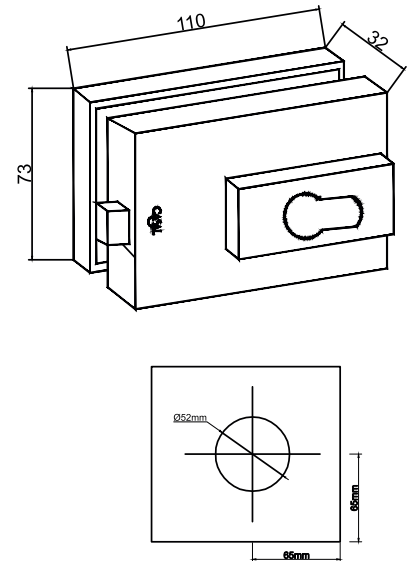
CU-500

PATCH LOCK RECTANGLE



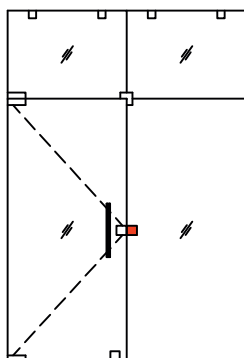
FEATURES

- Patch lock rectangle
- Suitable to side, top/bottom mount door application
- Aluminium alloy body which ensure high reliability and durability
- 304 grade stainless steel covers for high corrosion resistance
- Glass thickness : 8-12mm
- Finish : PSS, SSS, Black Matt & Golden Finish



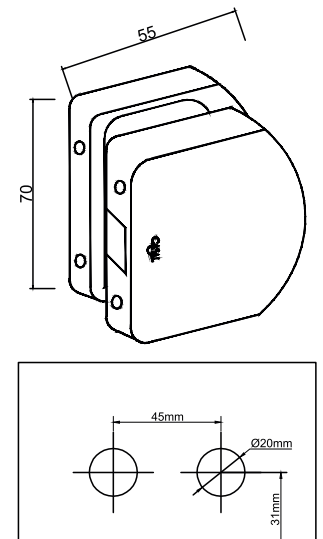
CUK-400

PATCH LOCK ROUND KEEPER



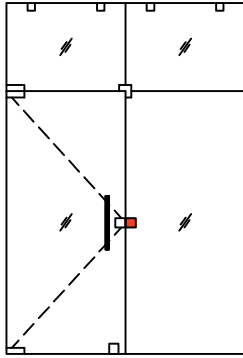
FEATURES

- Patch lock round keeper
- Suitable to side, top/bottom mount door application
- Aluminium alloy body which ensure high reliability and durability
- 304 grade stainless steel covers for high corrosion resistance
- Glass thickness : 8-12mm
- Finish : PSS, SSS, Black Matt & Golden Finish



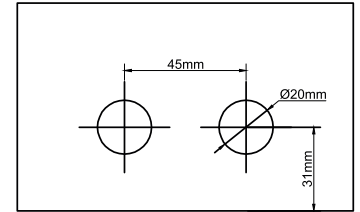
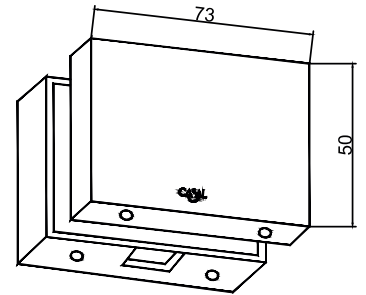
CUK-500

PATCH LOCK RECTANGLE KEEPER



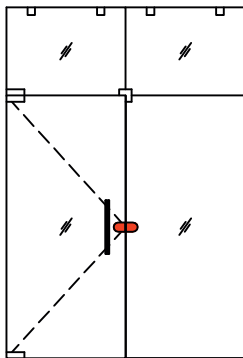
FEATURES

- Patch lock rectangle keeper
- Suitable to side, top/bottom mount door application
- Aluminium alloy body which ensure high reliability and durability
- 304 grade stainless steel covers for high corrosion resistance
- Glass thickness : 8-12mm
- Finish : PSS, SSS, Black Matt & Golden Finish



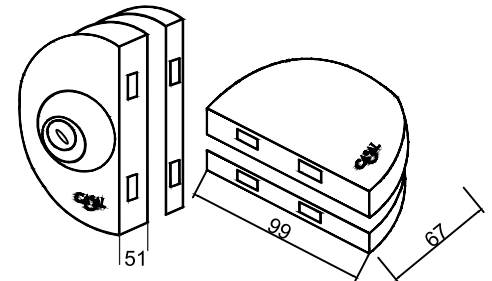
CU-600

PATCH LOCK WITH STRIKE BOX (NO CUTOUT)



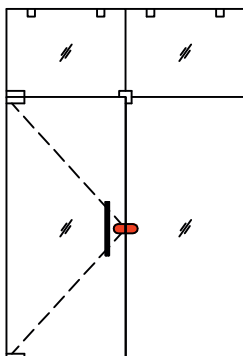
FEATURES

- Patch lock with strike box
- Suitable to side, top/bottom mount door application
- Aluminium alloy body which ensure high reliability and durability
- 304 grade stainless steel covers for high corrosion resistance
- Glass thickness : 8-12mm
- Finish : PSS, SSS, Black Matt & Golden Finish



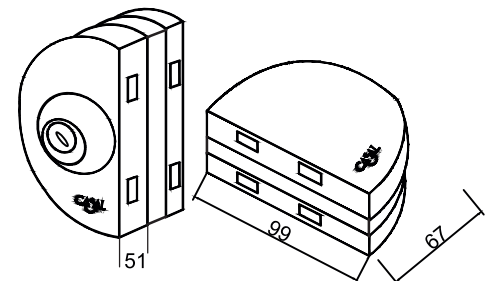
CU-600K

PATCH LOCK WITH STRIKE BOX (NO CUTOUT WITH KNOB)



FEATURES

- Patch lock with strike box
- Suitable to side, top/bottom mount door application
- Aluminium alloy body which ensure high reliability and durability
- 304 grade stainless steel covers for high corrosion resistance
- Glass thickness : 8-12mm
- Finish : PSS, SSS, Black Matt & Golden Finish





GLASS
DOOR
HANDLES

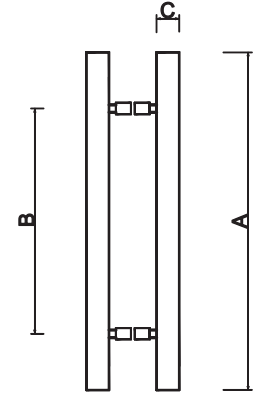
SS H-HANDLE



FEATURES

- Stainless steel grade 304
- Gasket to prevent glass damage
- Grub screws kept out of sight
- Finish : PSS, SSS, Black Matt & Golden Finish

Sl.No.	ITEM CODE	A(mm)	B(mm)	C(mm)
1	CH-2545	450	300	25
2	CH-3045	450	300	30
3	CH-4060	600	400	30
4	CH-80100	1000	800	30
5	CH-32457	457	305	32
6	CH-3260	600	450	32
7	CH-3290	900	480	32



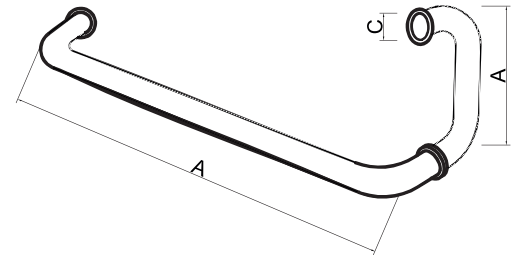
SHOWER DOOR-HANDLE



FEATURES

- Stainless steel grade 304
- Gasket to prevent glass damage
- Grub screws kept out of sight
- Finish : PSS, SSS, Black Matt & Golden Finish

Sl.No.	ITEM CODE	A(mm)	B(mm)	C(mm)
1	CH-15246	460	152	19
2	CH-2040	400	200	25



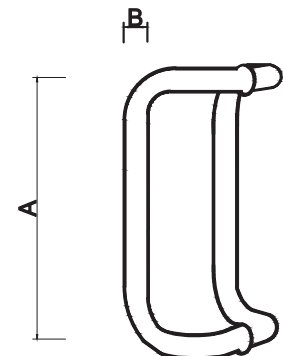
SS D-HANDLE

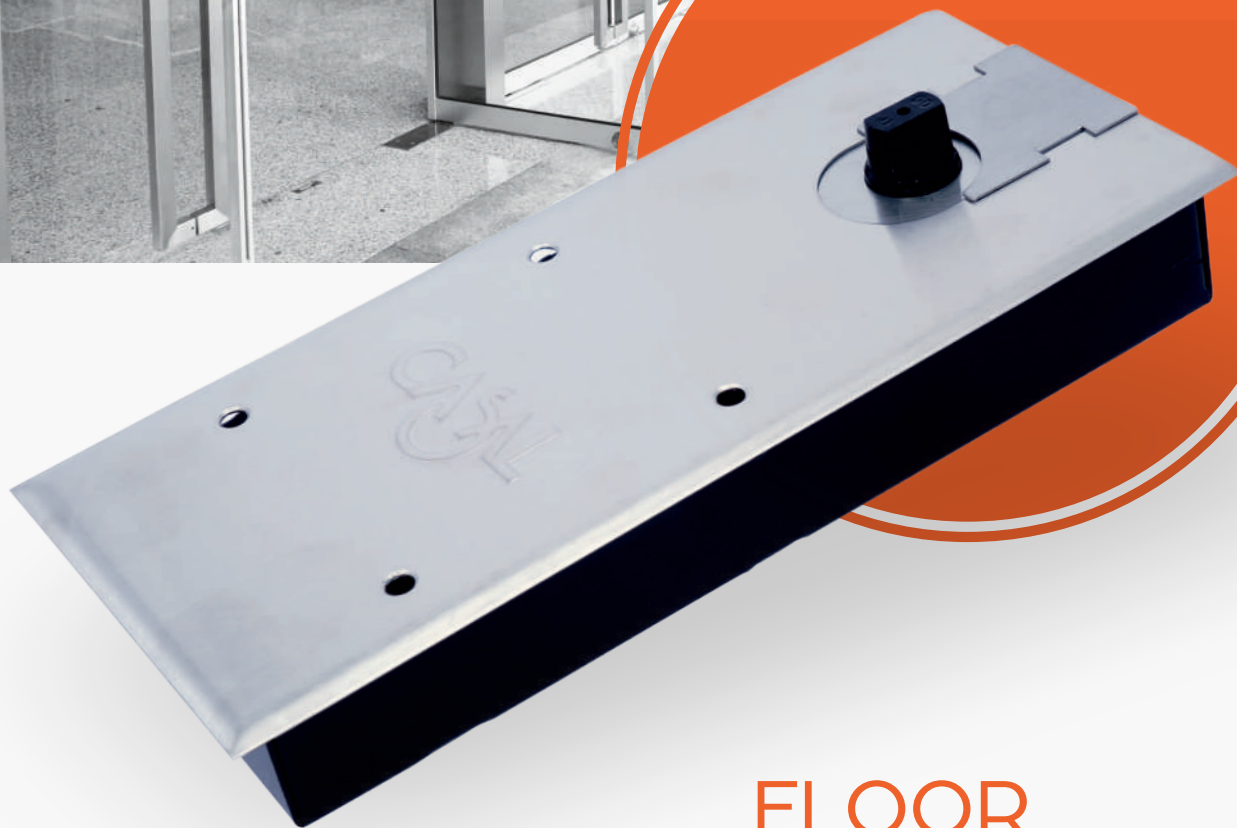


FEATURES

- Stainless steel grade 304
- Gasket to prevent glass damage
- Grub screws kept out of sight
- Finish : PSS, SSS, Black Matt & Golden Finish

Sl.No.	ITEM CODE	A(mm)	B(mm)
1	CD-2545	450	25
2	CD-3260	600	32

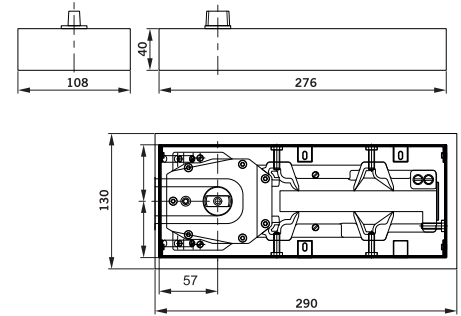




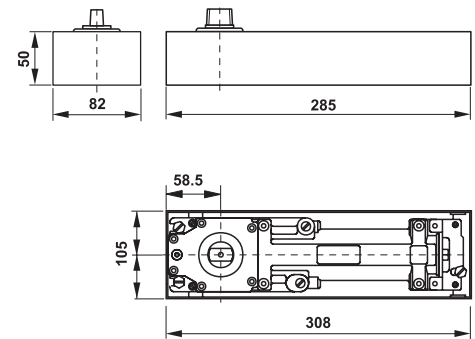
FLOOR SPRINGS

CFS-650
CASAL FLOOR MACHINE - 100 KG

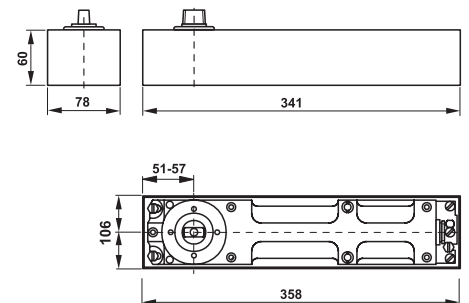

Technical Data		CFS-650
Spring Strength		EN 4
Standard & external doors		1000
Max door weight in kg		100
Closing force variable at adjustment screw		●
Backcheck		-
Delayed action		-
Hold-open point 90°		○
Weight in kg approx		4.5
Dimensions in mm	Length	276
	Overall depth	108
	Height	40
Door closer tested according to EN 1154		●
CE mark for building products (products with factory-fitted hold-open do not carry a CE mark)		-
Finish: SSS/PSS/Gold/Black		


CFS-750
CASAL FLOOR MACHINE - 150 KG


Technical Data		CFS-750
Spring Strength		EN 2-4
Spring strength adjustment		●
Max. door weight in kg		150
Closing force variable at adjustment screw		●
Backcheck, mechanical		●
Delayed action		-
Hold-open point adjustment		●
Weight in kg approx		5.5
Dimensions in mm	Length	285
	Overall depth	82
	Height	50
Door closer tested according to EN 1154		●
CE mark for building products (products with factory-fitted hold-open do not carry a CE mark)		-
Finish : SSS/PSS/Gold/Black		


CFS-800
CASAL FLOOR MACHINE - 300 KG


Technical Data		CFS-800
Spring Strength		EN 6
Spring strength adjustment		1400
Max. door weight in kg		300
Closing force variable at adjustment screw		●
Backcheck, mechanical		-
Delayed action		-
Hold-open point adjustment		90° & 130°
Weight in kg approx		8.0
Dimensions in mm	Length	341
	Overall depth	78
	Height	60
Door closer tested according to EN 1154		●
CE mark for building products (products with factory-fitted hold-open do not carry a CE mark)		-
Finish : SSS/PSS/Gold/Black		

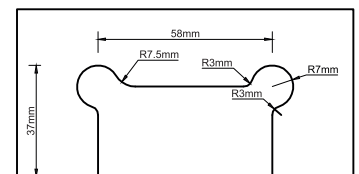
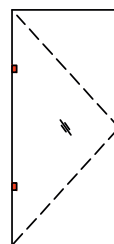




SHOWER CUBICLE FITTINGS

CWG-100

WALL TO GLASS HINGES



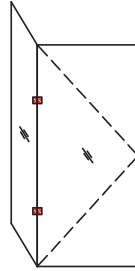
FEATURES

- Hinges are designed with flat edge with trim finish
- Hinge size 90 x 55mm
- Secure holding with glass
- Hinges adjustable to any angle up to 90° without having to take door down
- Grade SS 304, SS 316
- Self closing mechanism from approximately 25°
- Finish : SSS, PSS, Black Matt & Gold Finish
- Glass thickness : 8-12mm



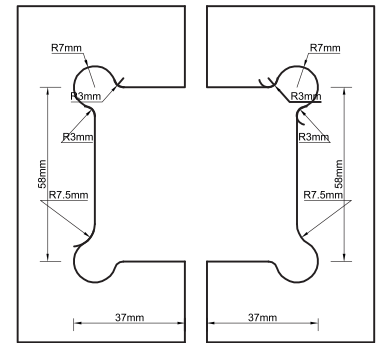
CGG-100/90

GLASS TO GLASS HINGES 90°



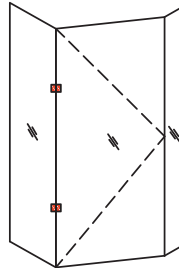
FEATURES

- Hinges are designed with flat edge with trim finish
- Hinge size 90 x 55mm
- Secure holding with glass
- Double action hinge opening in inwards and outwards
- Grade SS 304, SS 316
- Self closing mechanism from approximately 25°
- Finish : SSS, PSS, Black Matt & Gold Finish
- Glass thickness : 8-12mm



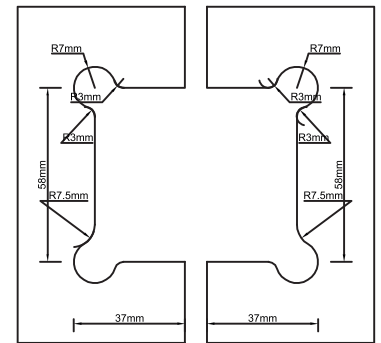
CGG-100/135

GLASS TO GLASS HINGES 135°



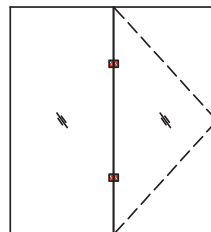
FEATURES

- Hinges are designed with flat edge with trim finish
- Hinge size 90 x 55mm
- Secure holding with glass
- Double action hinge opening in inwards and outwards
- Grade SS 304, SS 316
- Self closing mechanism from approximately 25°
- Finish : SSS, PSS, Black Matt & Gold Finish
- Glass thickness : 8-12mm



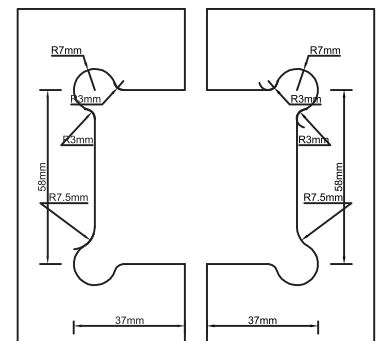
CGG-100/180

GLASS TO GLASS HINGES 180°



FEATURES

- Hinges are designed with flat edge with trim finish
- Hinge size 90 x 55mm
- Secure holding with glass
- Double action hinge opening in inwards and outwards
- Grade SS 304, SS 316
- Finish : SSS, PSS, Black Matt & Gold Finish
- Glass thickness : 8-12mm



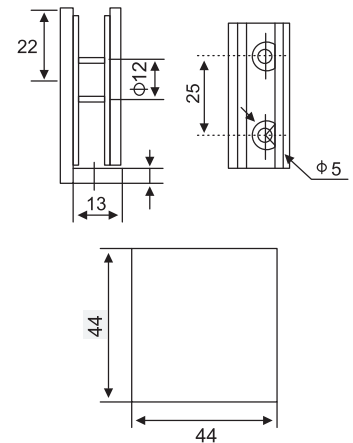
CGB -111

WALL TO GLASS BRACKET FLAT EDGE TRIM FINISH



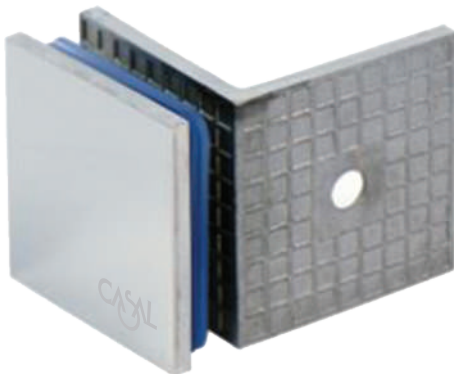
FEATURES

- Wall mounted glass connector.
- Provides mechanical fixing of glass panel to wall at 180°
- Body is made with high quality SS-304 material to ensure reliability & durability
- Secure holding with glass.
- Glass thickness : 8-10mm
- Finish : PSS ,SSS ,Black Matt & Golden Finish



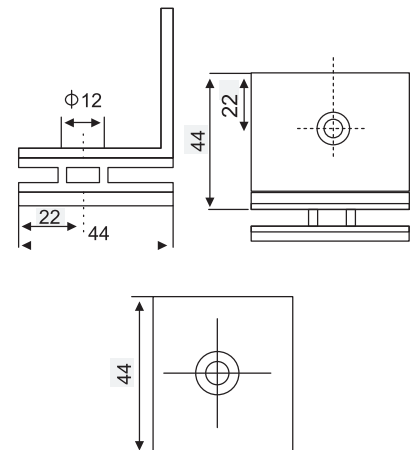
CGB-112

WALL TO GLASS BRACKET WITH 90° PLATE FLAT EDGE TRIM FINISH



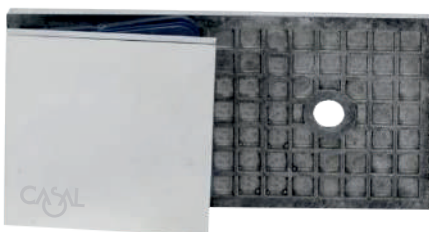
FEATURES

- Wall mounted glass connector with offset plate
- Provides mechanical fixing of glass panel to wall at 90°/180°
- Body is made with high quality SS-304 material to ensure reliability & durability
- Secure holding with glass.
- Glass thickness : 8-10mm
- Finish : PSS ,SSS ,Black Matt & Golden Finish



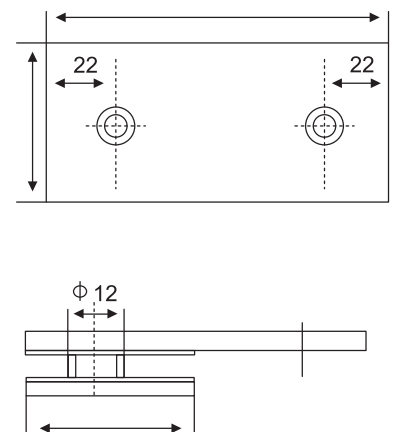
CGB-113

WALL TO GLASS BRACKET WITH PLATE FLAT EDGE TRIM FINISH



FEATURES

- Wall mounted glass connector with offset plate
- Provides mechanical fixing of glass panel to wall at 180°
- Body is made with high quality SS-304 material to ensure reliability & durability
- Secure holding with glass.
- Glass thickness : 8-10mm
- Finish : PSS ,SSS ,Black Matt & Golden Finish



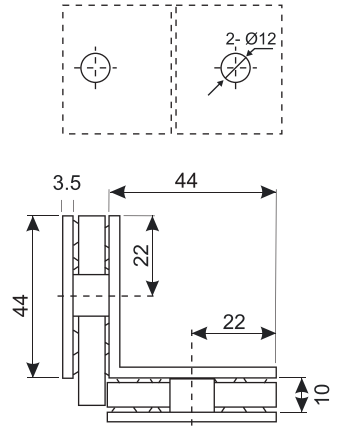
CGB -114

GLASS TO GLASS BRACKET-FLAT EDGE TRIM FINISH



FEATURES

- Glass manted glass to glass connector
- Provide mechanical fixing of glass to glass at 90°
- Body is made with high quality SS-304 material to ensure reliability & durability
- Secure holding with glass.
- Glass thickness : 8-10mm
- Finish : PSS, SSS, Black Matt & Golden Finish



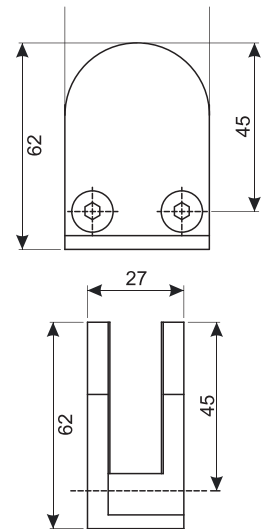
CGB-115

WALL TO GLASS BRACKET HEAVY TYPE SSS SIZE - 63*45*27MM



FEATURES

- Wall mounted glass connector.
- Provides mechanical fixing of glass panel to wall at 180°
- Body is made with high quality SS-304 material to ensure reliability & durability
- Secure holding with glass.
- Glass thickness : 8-10mm
- Finish : PSS,SSS, Black Matt & Golden Finish



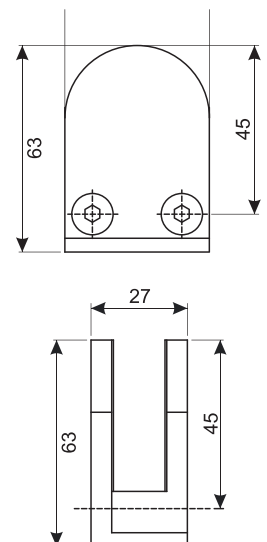
CGB-116

PIPE TO GLASS BRACKET HEAVY TYPE SSS SIZE : 63*45*27MM



FEATURES

- Pipe to glass connector
- Provides mechanical fixing of glass panel to wall at 180°
- Body is made with high quality SS-304 material to ensure reliability & durability
- Secure holding with glass.
- Glass thickness : 8-10mm
- Finish : PSS ,SSS ,Black Matt & Golden Finish



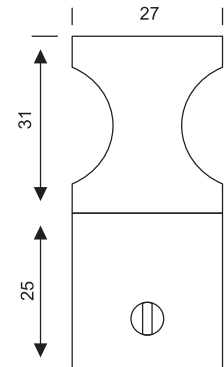
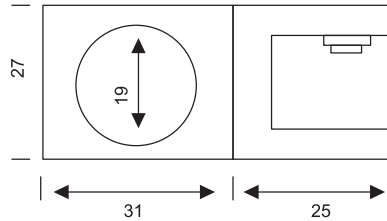
CPA-211/19

PIPE TO GLASS ACCESSORY 19MM DIA



FEATURES

- Support Pipe Beam Glass Mounted
- Nipple: 2 Legs & 2 Holes
- Grade : 304, 316
- Finish : PSS, SSS, Black Matt & Golden Finish



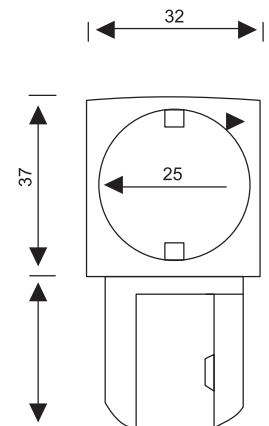
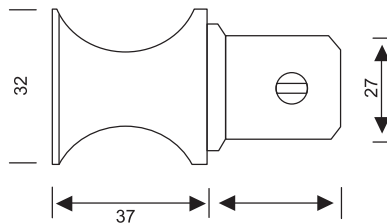
CPA-211/25

PIPE TO GLASS ACCESSORY 25MM DIA



FEATURES

- Support Pipe Beam Glass Mounted
- Nipple: 2 Legs & 2 Holes
- Grade : 304, 316
- Finish : PSS, SSS, Black Matt & Golden Finish



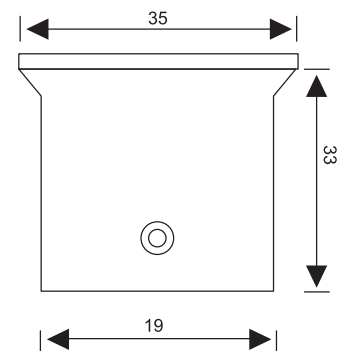
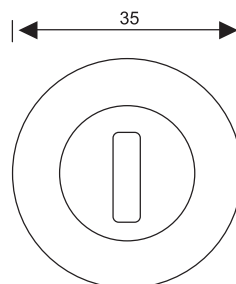
CPA-212/19

WALL TO PIPE ACCESSORY 19MM DIA



FEATURES

- Support Pipe Beam Extension Nipple
- Suitable for 19mm ϕ Pipe
- Grade : 304, 316
- Finish : PSS, SSS, Black Matt & Golden Finish



CPA -212/25

WALL TO PIPE ACCESSORY 25MM DIA

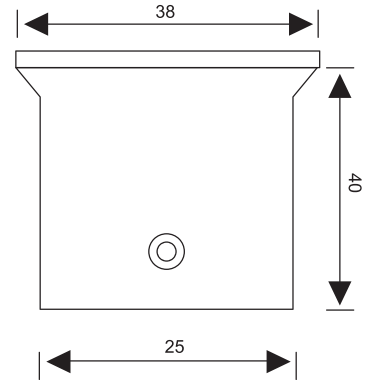
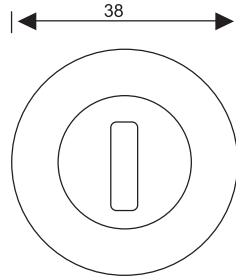


FEATURES

Support Pipe Beam Wall Mounted Nipple

Grade : 304, 316

Finish : PSS ,SSS ,Black Matt & Golden Finish



CPA-213/19

ADJUSTABLE PIPE ACCESSORY 19MM DIA

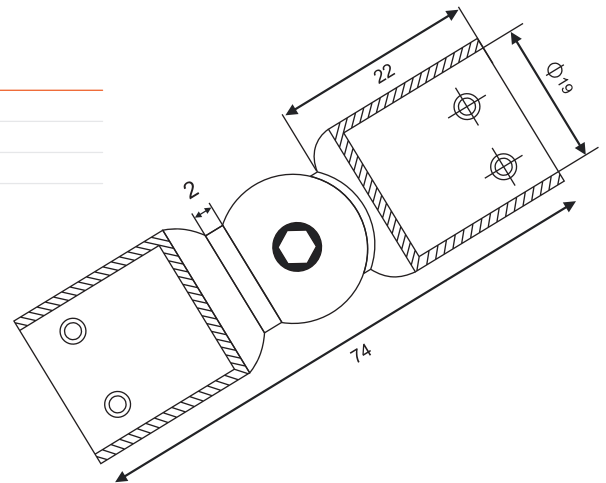


FEATURES

Support pipe Beam Fee Angle Elbow adjustable

Grade : 304, 316

Finish : PSS ,SSS ,Black Matt & Golden Finish



CPA -213/25

ADJUSTABLE PIPE ACCESSORY 25MM DIA

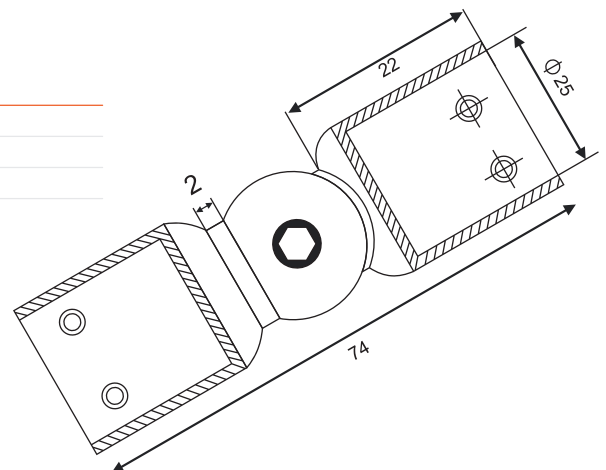


FEATURES

Support pipe Beam Fee Angle Elbow adjustable

Grade : 304, 316

Finish : PSS ,SSS ,Black Matt & Golden Finish



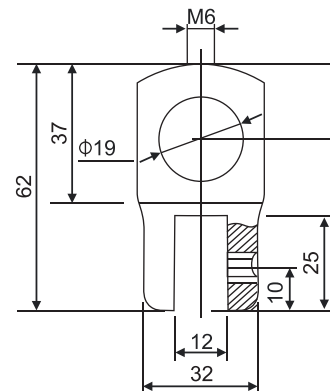
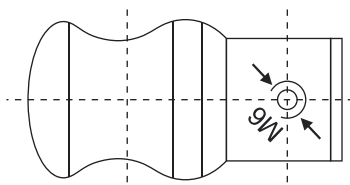
CPA-214/19

PIPE TO GLASS ACCESSORY ONE SIDE CLOSED 19MM DIA



FEATURES

- Support Pipe Beam Glass Mounted
- Nipple: 2 Legs & 1 Holes
- Grade : 304, 316
- Finish : PSS ,SSS ,Black Matt & Golden Finish



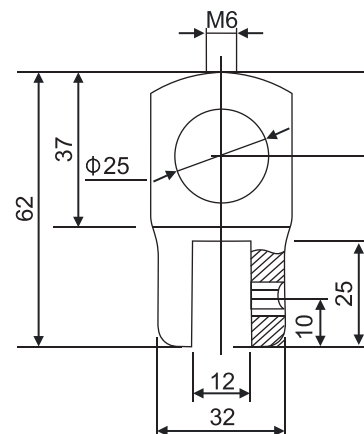
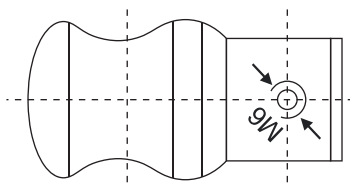
CPA-214/25

PIPE TO GLASS ACCESSORY ONE SIDE CLOSED 25MM DIA



FEATURES

- Support Pipe Beam Glass Mounted
- Nipple: 2 Legs & 1 Holes
- Grade : 304, 316
- Finish : PSS , SSS , Black Matt & Golden Finish



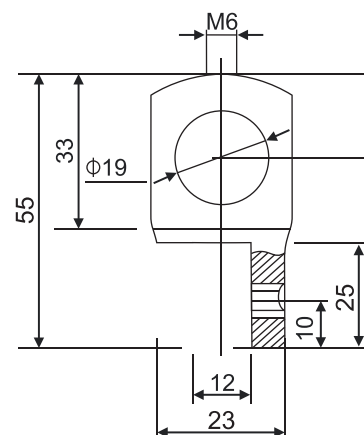
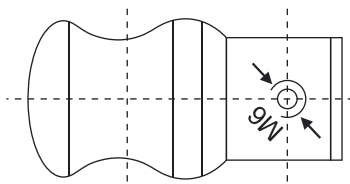
CPA-215/19

PIPE TO GLASS ACCESSORY WITH STOPPER 19MM DIA



FEATURES

- Support Pipe Beam Glass Mounted
- Nipple: 1 Legs & 1 Holes
- Grade : 304, 316
- Finish : PSS , SSS , Black Matt & Golden Finish



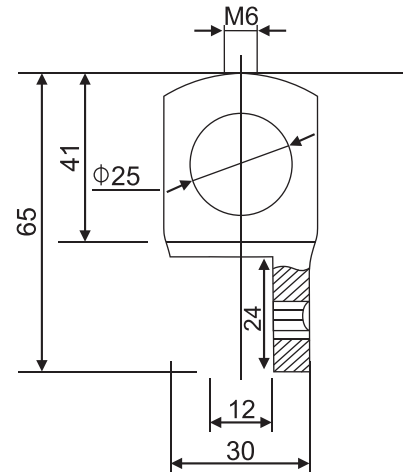
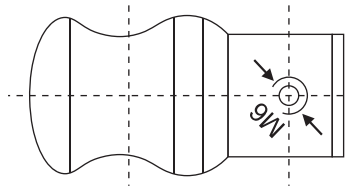
CPA-215/25

PIPE TO GLASS ACCESSORY WITH STOPPER 25 MM DIA



FEATURES

- Support Pipe Beam Glass Mounted
- Nipple : 1 Legs & 1 Holes
- Grade : 304, 316
- Finish : PSS ,SSS ,Black Matt & Golden Finish



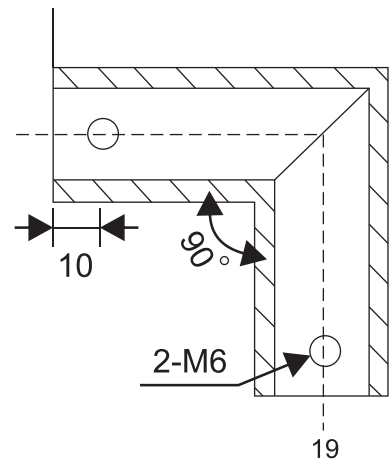
CPA-218/19

ELBOW SHOWER PIPE ACCESSORY 19MM DIA SS 304



FEATURES

- Support Pipe Beam 2-Way : Elbow & Fixed Type
- Suitable for 19mm \emptyset Pipe
- Grade : 304, 316
- Finish : PSS , SSS, Black Matt & Golden Finish



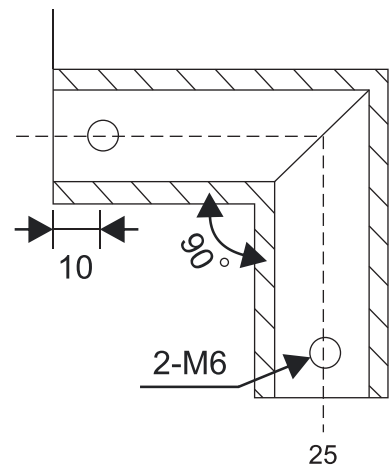
CPA-218/25

ELBOW SHOWER PIPE ACCESSORY 25MM DIA SS 304



FEATURES

- Support Pipe Beam 2-Way : Elbow & Fixed Type
- Suitable for 25mm \emptyset Pipe
- Grade : 304, 316
- Finish : PSS , SSS, Black Matt & Golden Finish



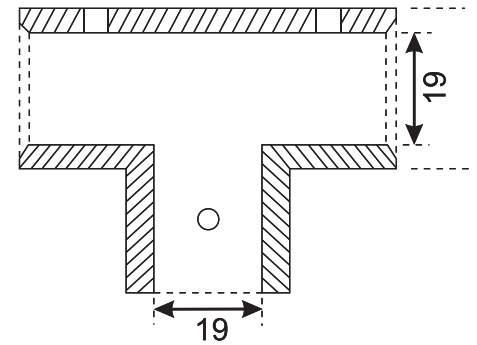
CPA-219/19

T PIPE TO PIPE ACCESSORY 19MM DIA SS304



FEATURES

- Support Pipe Beam 3-way
- Suitable for 19mm Ø pipe
- Grade : 304, 316
- Finish : PSS ,SSS ,Black Matt & Golden Finish



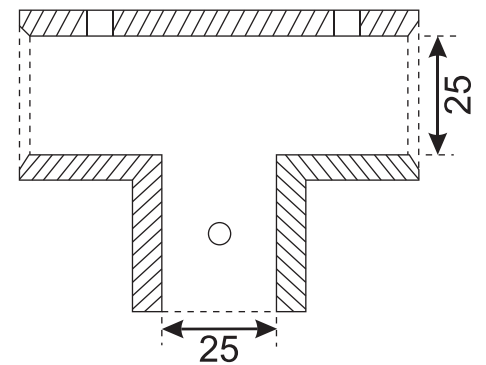
CPA-219/25

T PIPE TO PIPE ACCESSORY 25MM DIA SS304



FEATURES

- Support Pipe Beam 3-way
- suitable for 25mm Ø pipe
- Grade : 304, 316
- Finish : PSS , SSS , Black Matt & Golden Finish



SHOWER CUBICLE FITTINGS

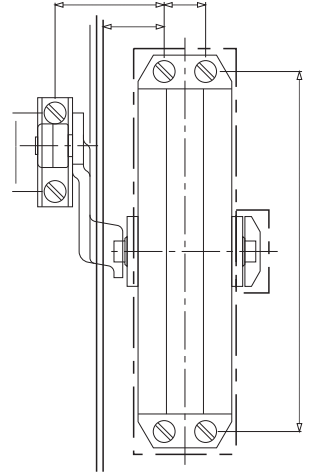


CDC-100

Door Closer - 85Kg



Technical Data		CDC-100
Spring Strength		EN 3
Standard doors (mm)		950
Non handed		●
Closing force variable at adjustment screw		-
Backcheck		●
Delayed action		-
Hold-open		●
Weight in kg approx		1.5
Dimensions in mm	Length	180
	Overall depth	63
	Height	40
Door closer tested according to EN 1154		●
CE mark for building products (products with factory-fitted hold-open do not carry a CE mark)		-

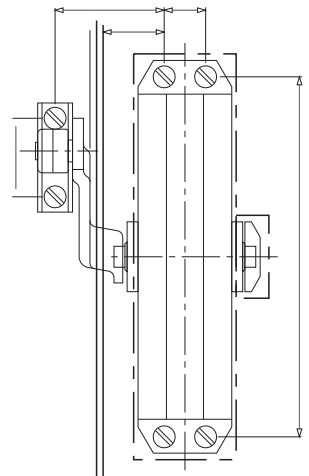


CDC-200

Door Closer - 150Kg



Technical Data		CDC-200
Spring Strength		EN 3
Standard doors (mm)		1250
Non handed		●
Closing force variable at adjustment screw		-
Backcheck		●
Delayed action		-
Hold-open		●
Weight in kg approx		2.2
Dimensions in mm	Length	223
	Overall depth	71.5
	Height	45
Door closer tested according to EN 1154		●
CE mark for building products (products with factory-fitted hold-open do not carry a CE mark)		-



DOOR CLOSERS



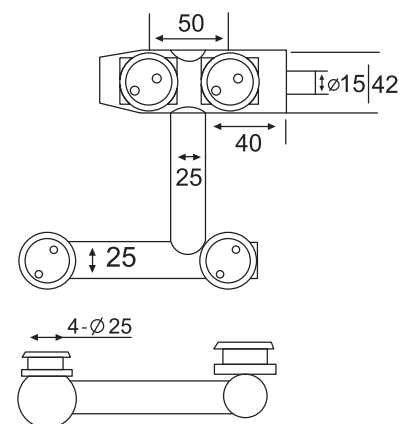


MANET SWING DOOR SYSTEM

CMS-2000.01 OVER PANEL PIVOT



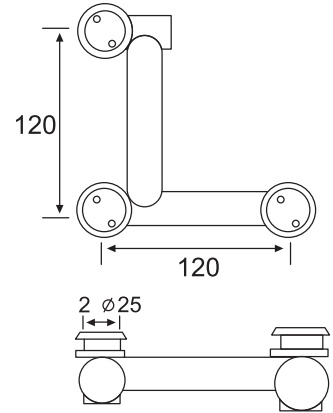
Technical Data	CMS-2000.01
Thickness	25mm
Capacity	300-500kg
Material	SS304
Color	SSS
Function	Used for swing glass door system



CMS-2000.02 OVER PANEL CONNECTOR



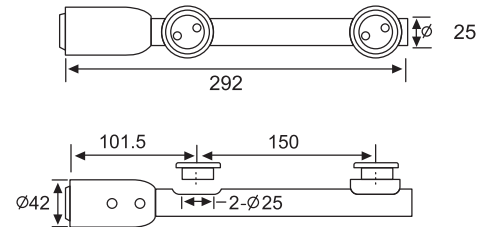
Technical Data	CMS-2000.02
Thickness	25mm
Capacity	300-500kg
Material	SS304
Color	SSS
Function	Used for swing glass door system



CMS-2000.03 TOP PIVOT



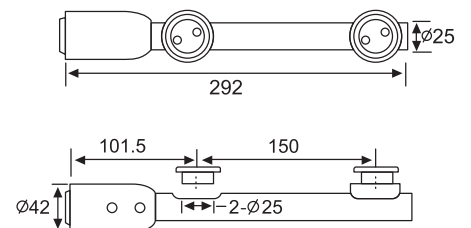
Technical Data	CMS-2000.03
Thickness	25mm
Capacity	300-500kg
Material	SS304
Color	SSS
Function	Used for swing glass door system



CMS-2000.04 BOTTOM PIVOT



Technical Data	CMS-2000.04
Thickness	25mm
Capacity	300-500kg
Material	SS304
Color	SSS
Function	Used for swing glass door system





MANET SLIDING SYSTEM

CMS-1000

MANET SLIDING DOOR SYSTEMS

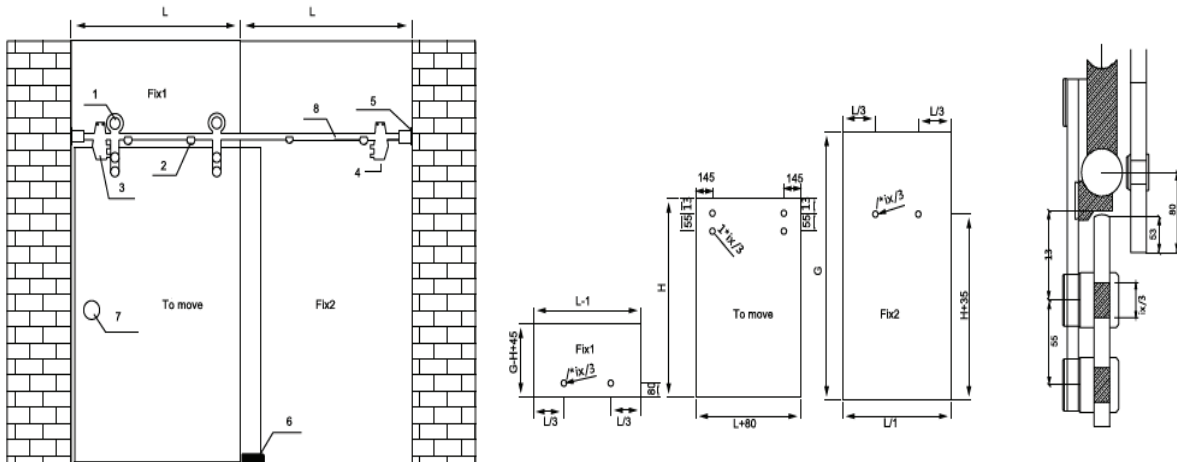
Technical Data

CMS-1000

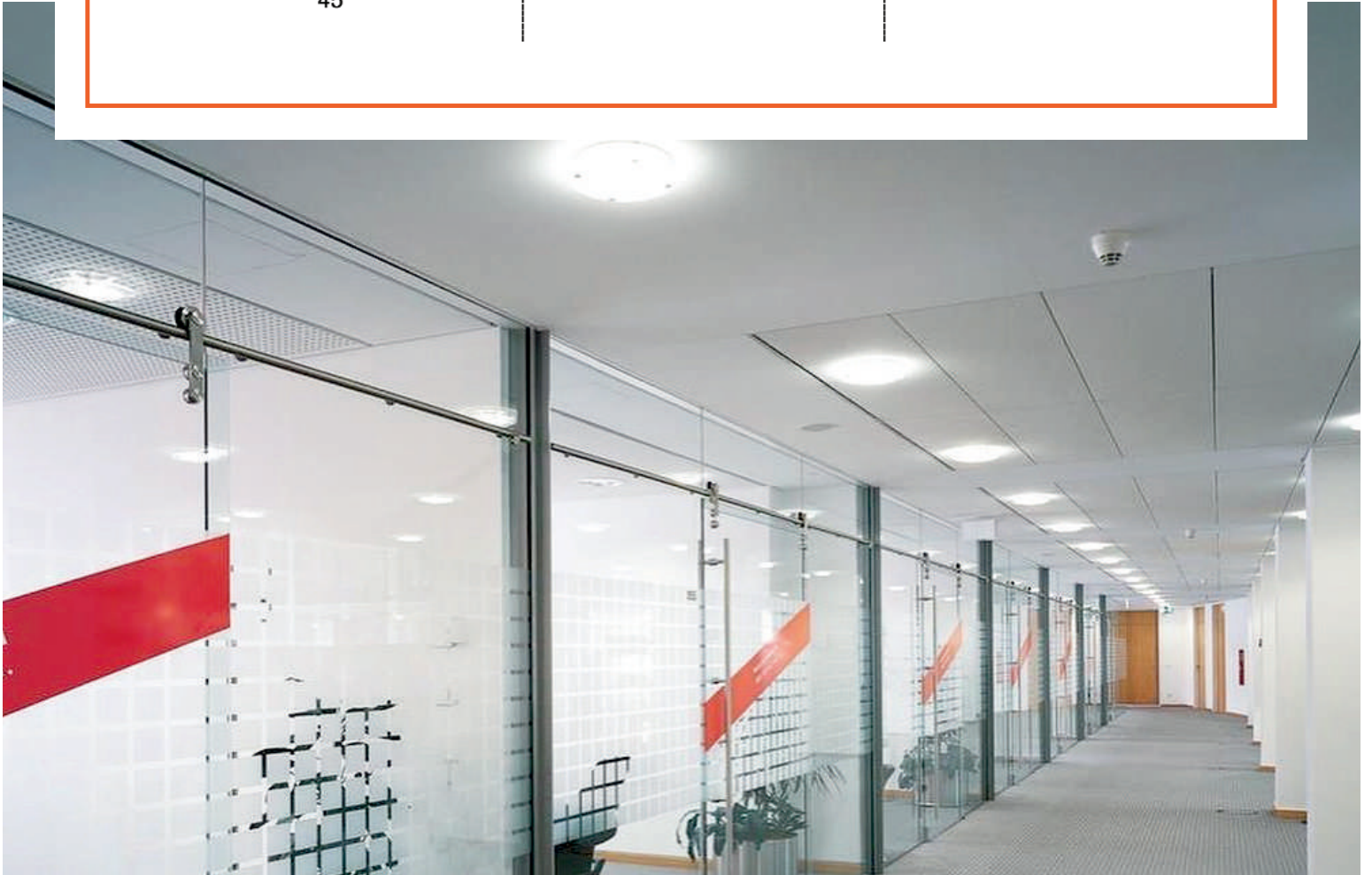
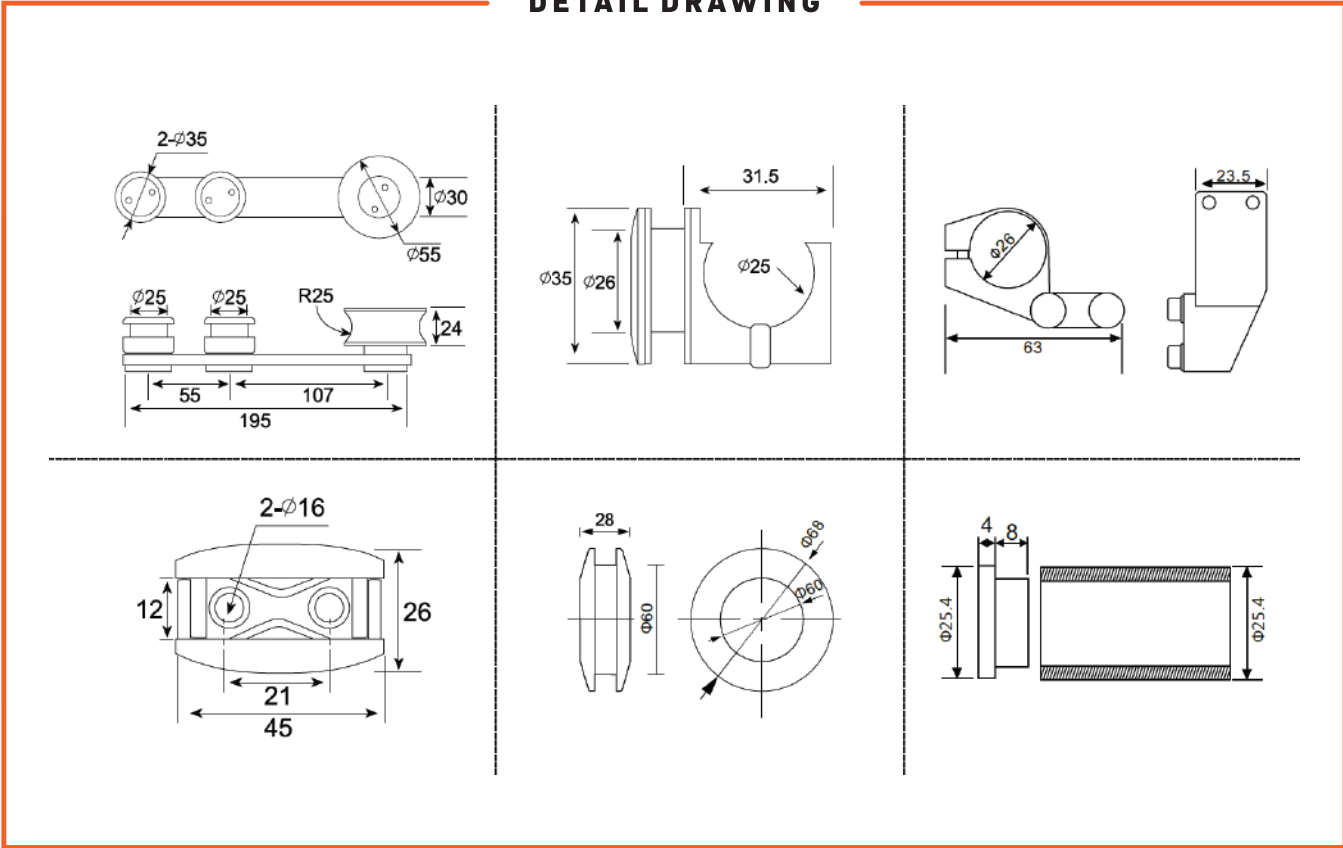
Size	As Bellow
Material	SS304/SS316
Used For Glass Sliding Door System	
Finish : PSS, SSS, Black Matt & Golden Finish	



INSTALLATION



DETAIL DRAWING





Via Il Strada, 20/22
Zona Industriale
Venezia, Italy

Tel.+39 041 4165855
casal@casal.it
www.casal.it



P.O.Box: 13710
Al Jurf, Ajman
United Arab Emirates

Tel.+971 6744 4270
info@casal.ae
www.casal.ae



Ebenezer Building
Chakkarapambu
Kochi -32, Kerala, India

Tel.+91 97450 86989
info@casal.in
www.casal.in

